

# Waterproof In-Line Fuseholder

For ¼" × 1¼" Fuses  
32 Volts AC, 30 Amps



**Catalog Symbol:** HFB Fuseholder

**Ampere Rating:** 30 Amperes

**Voltage Rating:** 32 Volts AC

For use with ¼" × 1¼" fuses (6.35mm × 31.8mm)

**Overall Specifications—HFB**

**Temperature Range:** -40°C to 150°C

**Waterproof:** Typically to a depth of 1 foot for 2 hours

**Vibration Resistance:** Per Mil Standard 810C

**Humidity:** 85°C/85% R.H. for 96 hours

**Material Specifications—HFB**

**Brittle Point:** Less than -60°C

**Abrasion:** 54% NBS Index

**Fluid Resistance:** Type and Class AA, BA, BC, BE, CA, CE per ASTM D-2000 Standard Classification System for rubbers

**Flame Resistance:** Pass FMVSS302 and rated slow burning when tested in accordance with U.L. 94HB

**Ozone Resistance:** Passed 70 hours in 50 ppm ozone per ASTM D-5

**Salt Spray:** 15% for 166 hours = 0% volume swell

**U.L. Flammability:** 94 HB

**Temperature Rating (RTI):** 90°C

**Body Material:** Thermoplastic rubber

**Contact Material:** Copper with tin plating

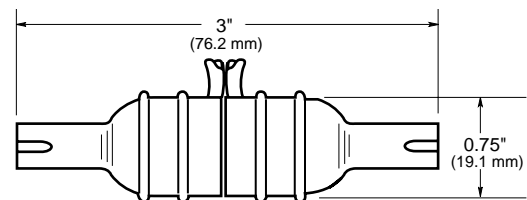
## Xenon Arc Weatherometer

Time (Hrs.)	Tensile Strength (psi)	Elong. (%)	100% Mod. (psi)
0	1100	375	470
500	1130	350	520
1000	1190	350	520

## Heat Aging (% retention of mechanical properties at 125°C)

Parameters	Days				
	1	7	15	30	41.7
Tensile Stgth.	100	105	115	120	120
% Elongation	90	90	90	90	90
100% Mod.	105	110	120	120	120

## Dimensional Data



## Catalog Numbers

Description	Catalog Number
Standard Pack (10-in)	HFB
Bulk Pack (20-in)	BK/HFB
Replacement Contact Clip	BK/1A2294
Accepts #10 Wire	HFB-10

## General Information:

- Rated 30 amps, 32 volts AC.
- Ideal for harsh environments.
  - Water
  - Salt spray
  - Ultraviolet light
  - Ozone
- -40°C to 150°C temp. range
- Withstands many organic solvents and rigorous shock and vibration.
- Accepts #12 to #18 wire leads (not provided).
- Simple assembly.
- One-piece molded thermoplastic.
- High visibility yellow color for easy identification in dark or hard-to-access locations.
- Important information molded into body.

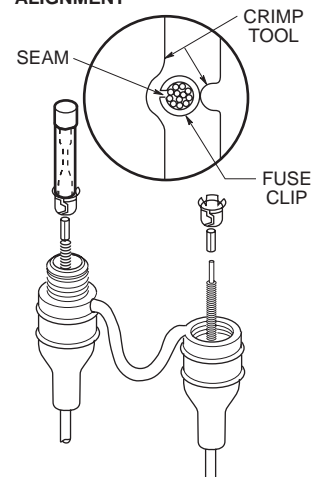
## Installation:

1. Thread wire through housing.
2. Strip insulation per strip gauge.
3. Crimp fuse clip to wire.\*
4. Pull wire and seat fuse clip in housing.
5. Insert fuse.
6. Snap housing together.

\*Recommended Crimping Tools:

Thomas & Betts No. WT-111-M; Radio Shack No. 64-409; California Terminal Products No. 1250.

## PROPER FUSECLIP ALIGNMENT



The only controlled copy of this BIF document is the electronic read-only version located on the Bussmann Network Drive. All other copies of this document are by definition uncontrolled. This bulletin is intended to clearly present comprehensive product data and provide technical information that will help the end user with design applications. Bussmann reserves the right, without notice, to change design or construction of any products and to discontinue or limit distribution of any products. Bussmann also reserves the right to change or update, without notice, any technical information contained in this bulletin. Once a product has been selected, it should be tested by the user in all possible applications.